

AW-XH327-SUR

IEEE 802.11 a/b/g/n/ac/ax Wi-Fi + Bluetooth 5.2 Combo SIP Module

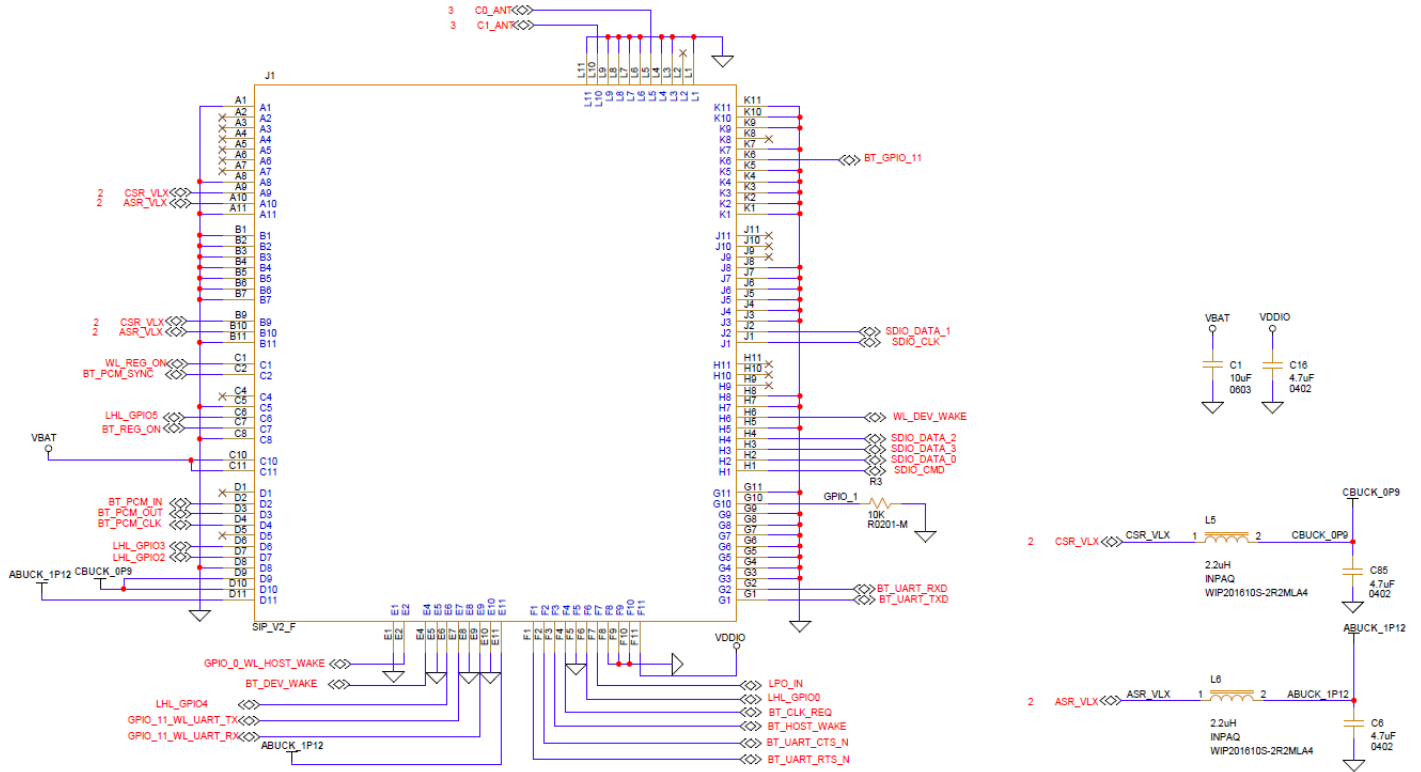
Reference Design Guide

Rev. 01

(For Standard)

Revision History

Version	Revision Date	Description	Initials	Approved
01	2023/05/19	● Initial Version	Barry Tsai	N.C. Chen



BT_REG_ON must be connected to an external GPIO control pin.

